

SPARE PARTS SECTION

SAND BLAST CABINET

Model. SBC-990

Order Code S305

Edition No : SBC-990-1

Date of Issue : 08/2022

The following section covers the spare parts diagrams and lists that were current at the time this manual was originally printed. Due to continuous improvements of the machine, changes may be made at any time without notification.

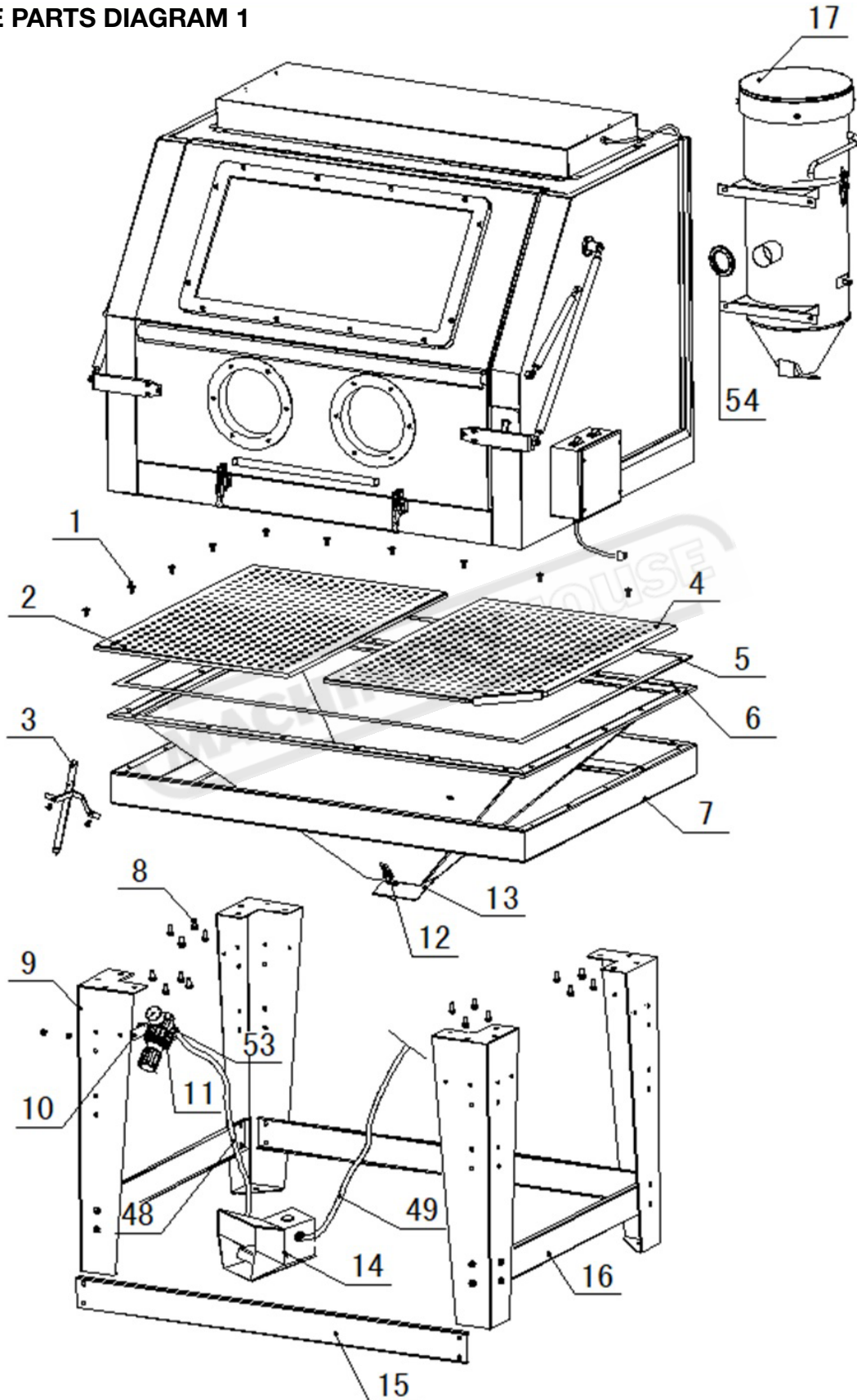
HOW TO ORDER SPARE PARTS

1. Have your machines model number, serial number & date of manufacture on hand, these can be found on the specification plate mounted on the machine
2. A scanned copy of your parts list/diagram with required spare part/s identified.

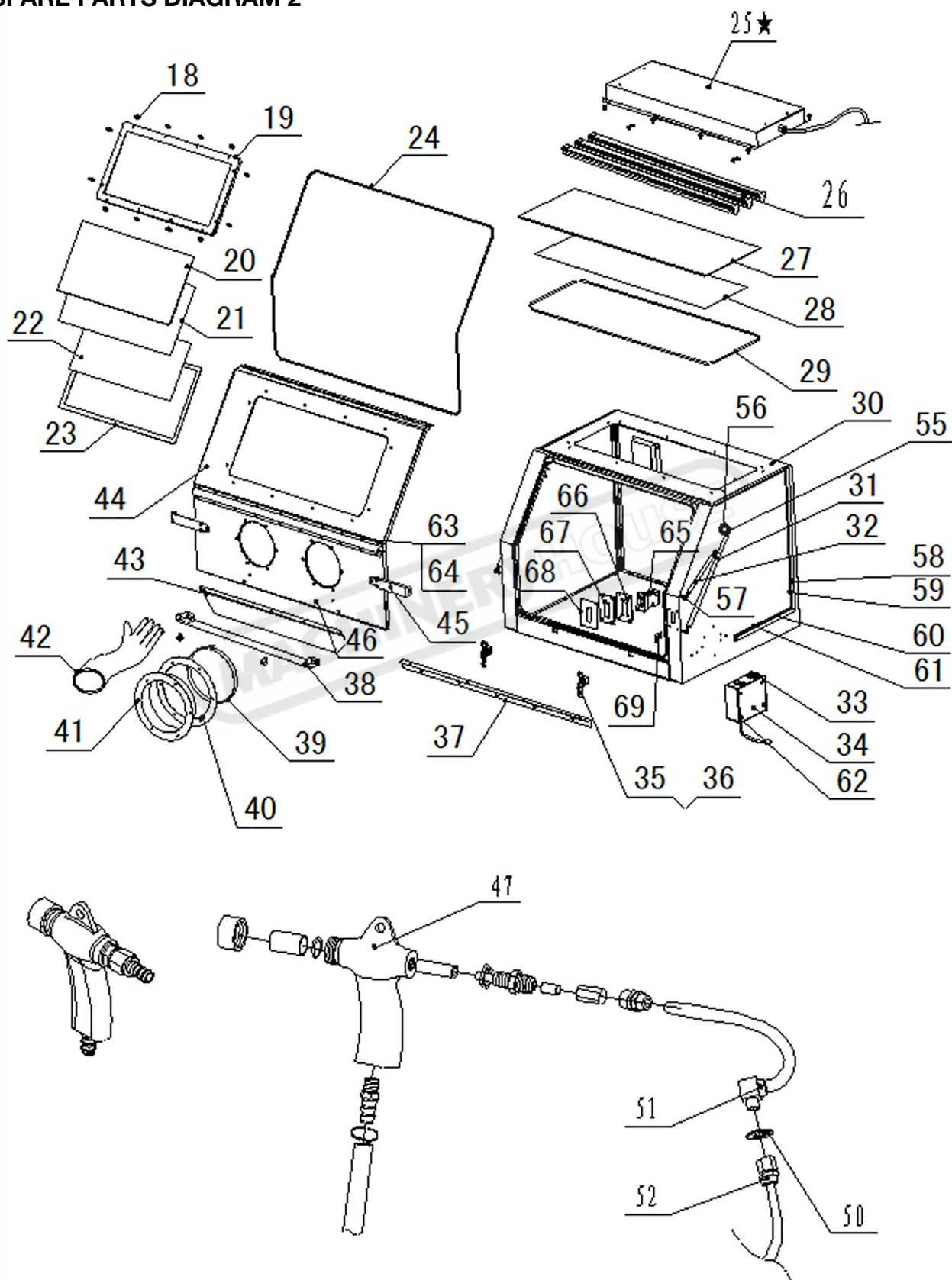
NOTE: SOME PARTS MAY ONLY BE AVAILABLE AS AN ASSEMBLY

3. Go to www.machineryhouse.com.au/contactus and fill out the inquiry form attaching a copy of scanned parts list.

SPARE PARTS DIAGRAM 1



SPARE PARTS DIAGRAM 2



OPERATION MANUAL

SPARE PARTS LIST Cabinet

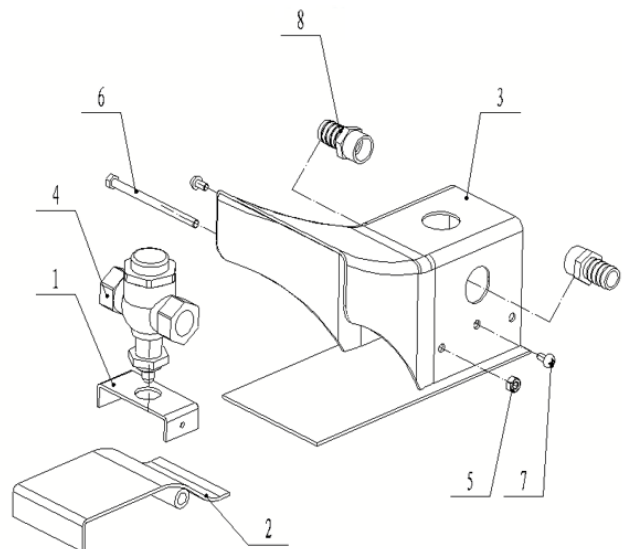
Item	Factory Code	DESCRIPTION		Qty
1	201020028	ROUND HEAD CROSS SCREW	M6*12	22
	201050003	FLAT WASHER	Ø6* Ø12*1	22
2	405020672	LEFT GRID		1
3	405020039	SUCTION SAND HOSE		1
4	405020659	RIGHT GRID		1
5	206050009	SEALING TAPE	Ø3.0*22	5
6	405020751	BIG FUNNEL		1
7	405020614	BRACKET		1
8	201030019	HEX.SCREW	M8*20mm	32
	201050062	FLAT WASHER	Ø8* Ø16*1.5	32
	201050013	SPRING WASHER	M8	32
9	405020615	LEG		4
10	405020331	PERMANENT SEAT OF PNEUMATIC DEVICE		1
11	204020028	PRESSURE REGULATING VALVE	AR3000-03 0-150Psi	1
12	407020028	ASSEMBLED LATCHES		3
13	405020324	WELDED COVER BOARD FOR FALLING SAND		1
14	407020323	PNEUMATIC DEVICE OF FOOT PEDAL		1
15	403030172	LEG REINFORCES 1		2
16	401010112	LEG REINFORCES 2		2
17	407020416	DUST COLLECTOR	230V (1.73M 3GTJC)	1
18	201020134	ROUND HEAD CROSS SCREW	M6*32	12
19	407020240	BRACKET OF VIEWING WINDOW		1
20	206030011	GLASS BOARD OF VIEWING WINDOW	740*360*1.5	1
21	206030010	GLASS OF VIEWING WINDOW	730*360*5	1
22	206010188	PE FILM OF VIEWING WINDOW	PE	6
23	206050009	SEALING TAPE OF VIEWING WINDOW	3.0*22	
24	407010198	RUBBER SEAL STRIP OF FRONT OPENING DOORFRAME	1200L=3600	1
25	405020650	COVER ASS'Y FOR LED LIGHT		1
26	203030020	LED LIGHT		3
27	206030009	GLASS OF LIGHT WINDOW	990*342*5	1
28	206010189	PE FILM OF LIGHT WINDOW	PE	6
29	407010186	RUBBER SEAL STRIP OF LIGHT WINDOW	l=2560(1200)	1
30	407020381	UPPER CABINET		1
31	405020660	MAIN SUPPORT POLES		2
32	205040148	SUPPORT POLE OF AIR SPRINGS	Ø18* Ø8(430mm)*320N	2
33	407020241	ELECTRIC BOX	230V	1
34	403030173	COVER FOR ELECTRIC BOX		1
35	205040125	FRONT DOOR LATCH		2
36	206010121	LATCH SEATS	990#	2
37	405010133	RACK BOARD		1
38	205040451	GRIP	500*18	1
39	407020025	ELEMENTS OF BIG HOOPS		2
40	206020101	MOUNTINNG RING OF GLOVES		2
41	206010008	GLOVES SEAT		2
42	206020001	GLOVES	L=600 C220.350.420.990.1200)	1
43	403030214	SAND BOARD		1
44	405020638	ELEMENTS OF FRONT OPENING DOOR		1
45	403030175	SUPPORT BOARD OF FRONT DOOR		2

SPARE PARTS LIST

Item	Factory Code	DESCRIPTION	Qty	
46	405020634	WELDED BRACKET FOR FRONT DOOR	1	
47	407020324	SAND GUN	1	
48	407010113	AIR HOSE (ORANGE)	Ø12 Ø8*1000	2
49	407010114	AIR HOSE (ORANGE)	Ø12 Ø8*1300	1
50	403020741	LOCK NUT	Ø14* Ø27	1
51	204030053	L-QUICK CHANGE COUPLING (METAL)	PL12-02	1
52	204030046	QUICK-CHANGE COUPLING (METAL)	PCF12-02	1
53	204030055	L-QUICK CHANGE COUPLING (METAL)	PL12-03	1
54	206020086	RUBBER RING	Ø54* Ø82**9.8	1
55	302010065	WASHER	Ø12* Ø4.2*1.5	6
56	406010043	BRACKET FOR MIAN SUPPORT POLE		2
57	302010066	SEAT FOR SMALL POLE	16*32	2
58	402020164	CABLE BOTTOM COVER A		1
59	402020165	CABLE TOP COVER A		1
60	402020166	CABLE BOTTOM COVER B		1
61	402020167	CABLE TOP COVER B		1
62	201020040	SELF-TAPPING SCREW	ST4.2*9.5-C	4
63	403010123	RUBBER BOARD FOR FOLDING DOOR		2
64	407010197	RUBBER BOARD FOR FOLDING DOOR	135*1030 1.5	1
65	204020001	CONTRAL VALVE ASS'Y	G1/2 (990#)	1
66	402020142	FIXING PLATE FOR VALVE		1
67	403010104	SEAL FOR VALVE		1
68	404010064	COVER FOR VALVE		1
69	401010106	FIXING PLATE FOR AIR HOSE		1

SPARE PARTS FOOT PEDAL

Item	Factory Code	SPECS	Qty
1	403020507	XH-SBC420-15-03	1
2	405020333	XH-SBC420-15-01-00JEMC	1
3	405020318	XH-SBC420-15-02-00	1
4	205040427		1
5	201040024	M6 Nut	1
6	201030015	Bolt M6*90mm	1
7	201030085	Screw M5*10mm	2
8	204030051	PC12-04	2



WIRING DIAGRAM

- L PHASE WIRE
- N NEUTRAL WIRE
- PE EARTH WIRE
- F FUSE
- E LUMINAIRE WITH FOUR FLUORESCENT TUBES
- X1 CONNECTOR
- X2 CONNECTOR
- S1 LIGHT SWITCH
- S2 MOTOR SWITCH
- M MOTOR

